

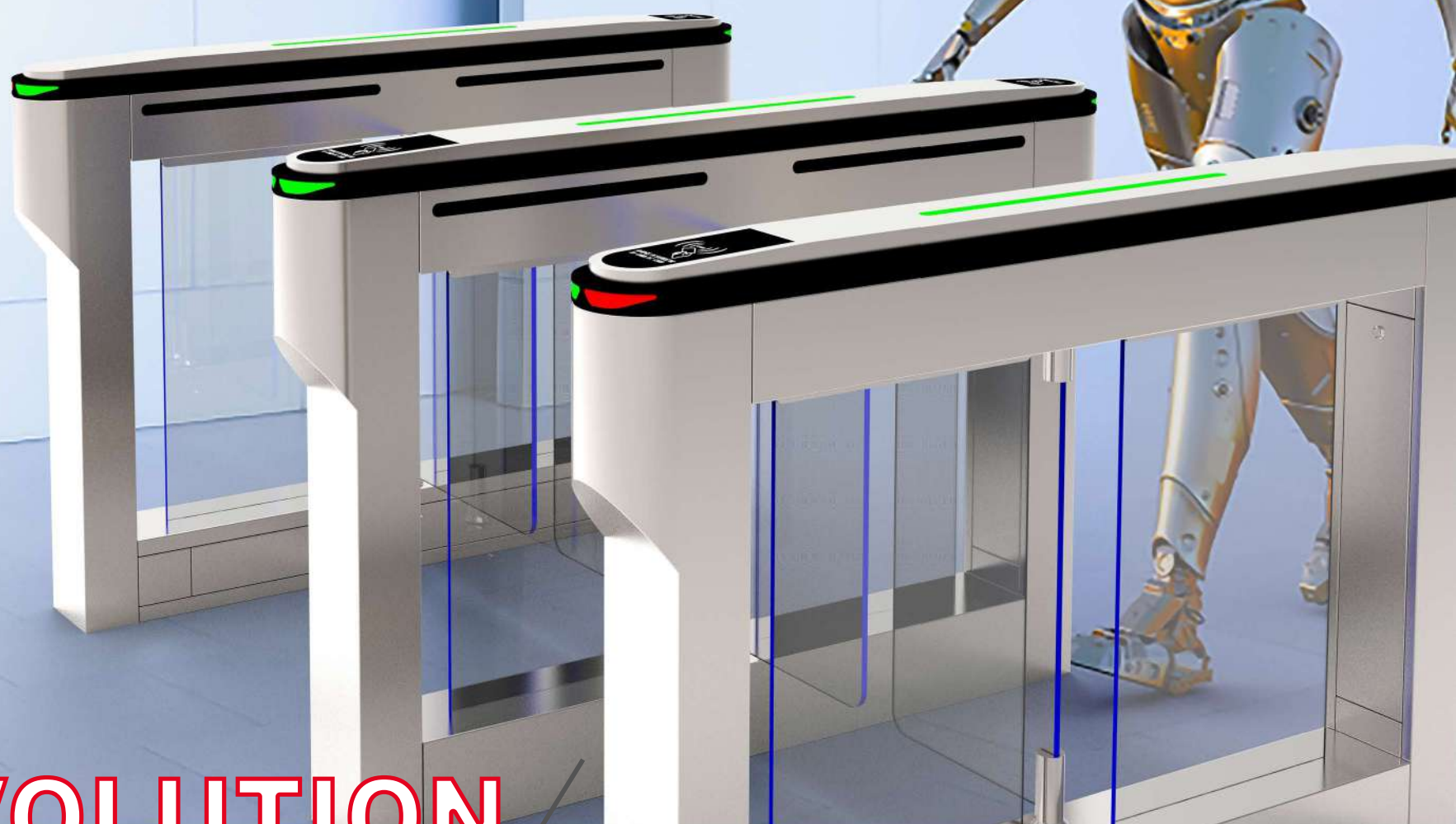
THE SISHU TURNSTILE

DISCOVER OUR NEW
SALES & MARKETING
MATERIALS

GET INSPIRED BY OUR
LATEST IMPLEMENTATIONS
AROUND THE WORLD

FIND OUT WHAT'S NEW
IN TECH SUPPORT

WHAT'S COOKING
FOR 2024



EVOLUTION / OF OUR
Swing barrier gate

2



3



ABOUT US

Shenzhen SiShu Electronic Technology Co., Ltd. is located in Shenzhen, China as one of the worlds leading areas of industry and high-tech productions. Our main products include tripod turnstile, fap barrier, swing barrier, drop arm barrier and full height turnstile.

Stable function and excellent performance are the product R&D purposes. Offering the most affordable price to customers is the product design concept. Our goal is to establish a win-win situation and long-term cooperation relationship with all our customers and partners.

PROFESSIONAL PRODUCTION

We have 23 welderl and every one got experience more than 8 years. Sishu work with own laser cutting machine, bending machine, and all necessary equipments.



KEY FEATURES

Creative snap-fit, screwless, modularized design, which makes installation and maintenance work easier than ever, and saved up to 30% production lead time.

OWN DESIGN

Sishu work with own design team to make Customized production for different customers and Specific scenarios.



The Never-Ending Spin of Evolution

Redesigning Our Flagship S10 series Gates & Other Products

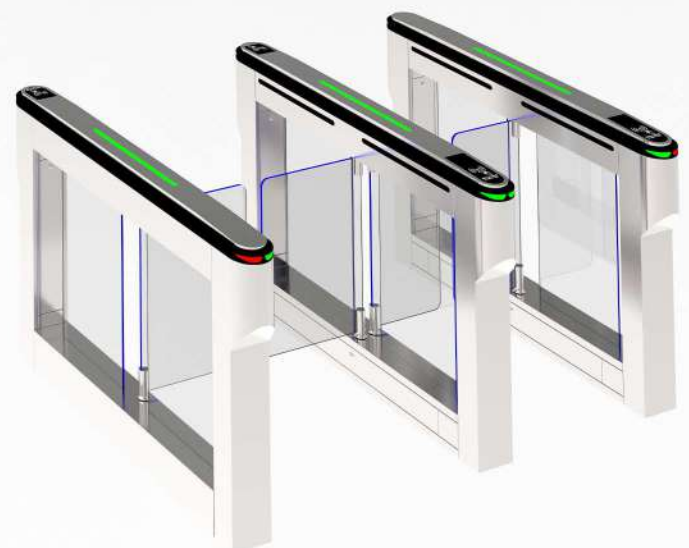
Constant improvement and development is what we swear by. A crucial mindset in business, we believe. To stay on top as one of the leaders in our industry, we never stop upgrading and improving our products, To make them even more secure. More elegant. More user-friendly.

SLEEKER & MORE STYLISH DESIGN

- New design
- Special LED design
- Heavy duty mechanical structure
- Strong framework
- Perfect surface treatment



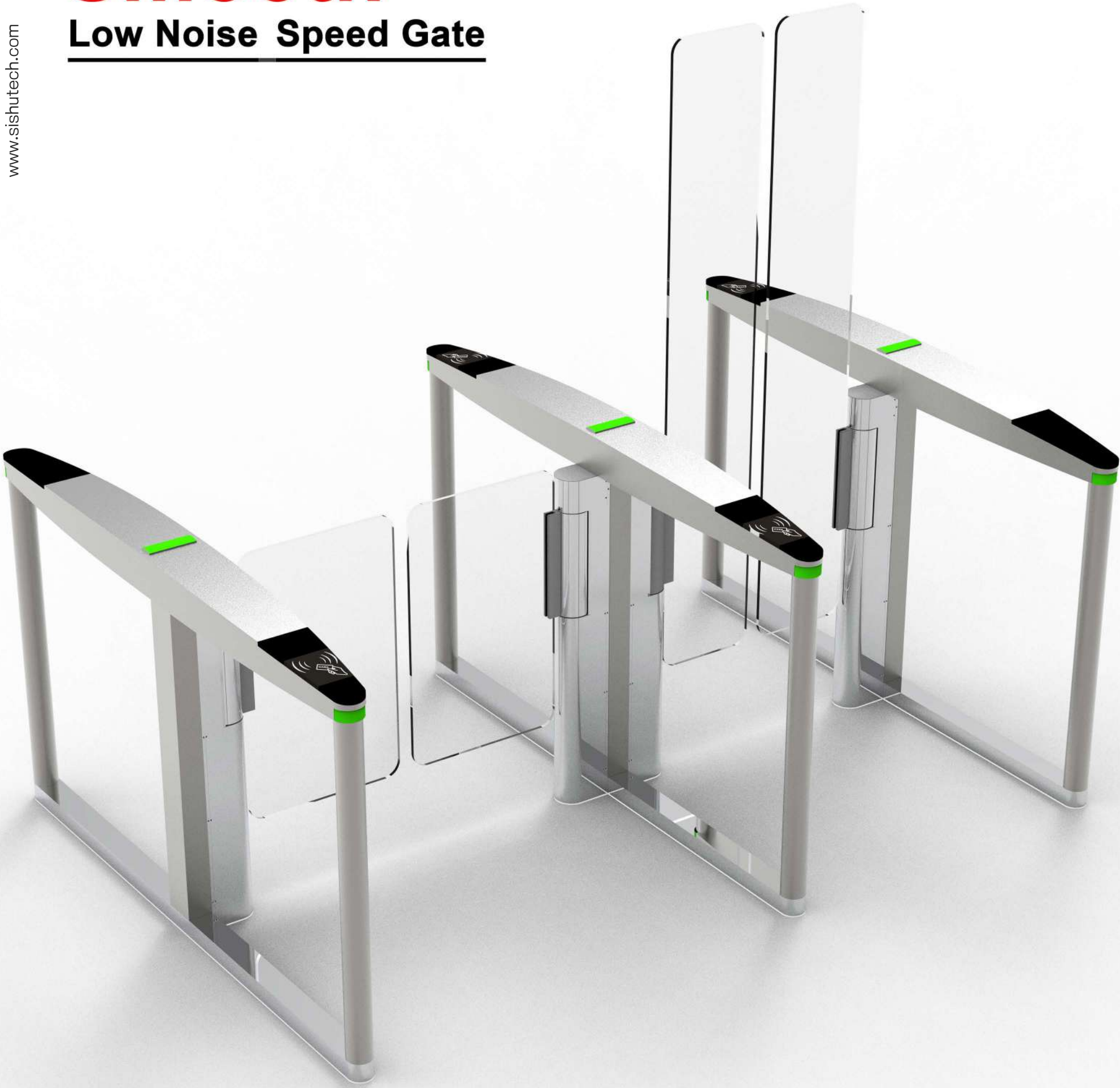
WIDER APPLICATION & VARIOUS FUNCTIONS



Slim Smooth

Low Noise Speed Gate

www.sishutech.com



Extraordinary access experience with

Sliding speed gate

- Robust design
- Unique folding gates
- Futuristic illumination

Outstanding Products of Speed agte series

Heavy Duty
Servo Speed
gate system



Our Speed Gate with LED accents guide passers with an overall color matching style to fit building and turnstile into harmony.

Speed gate working with high strength Servo motor, Working speed improve. Noise less.

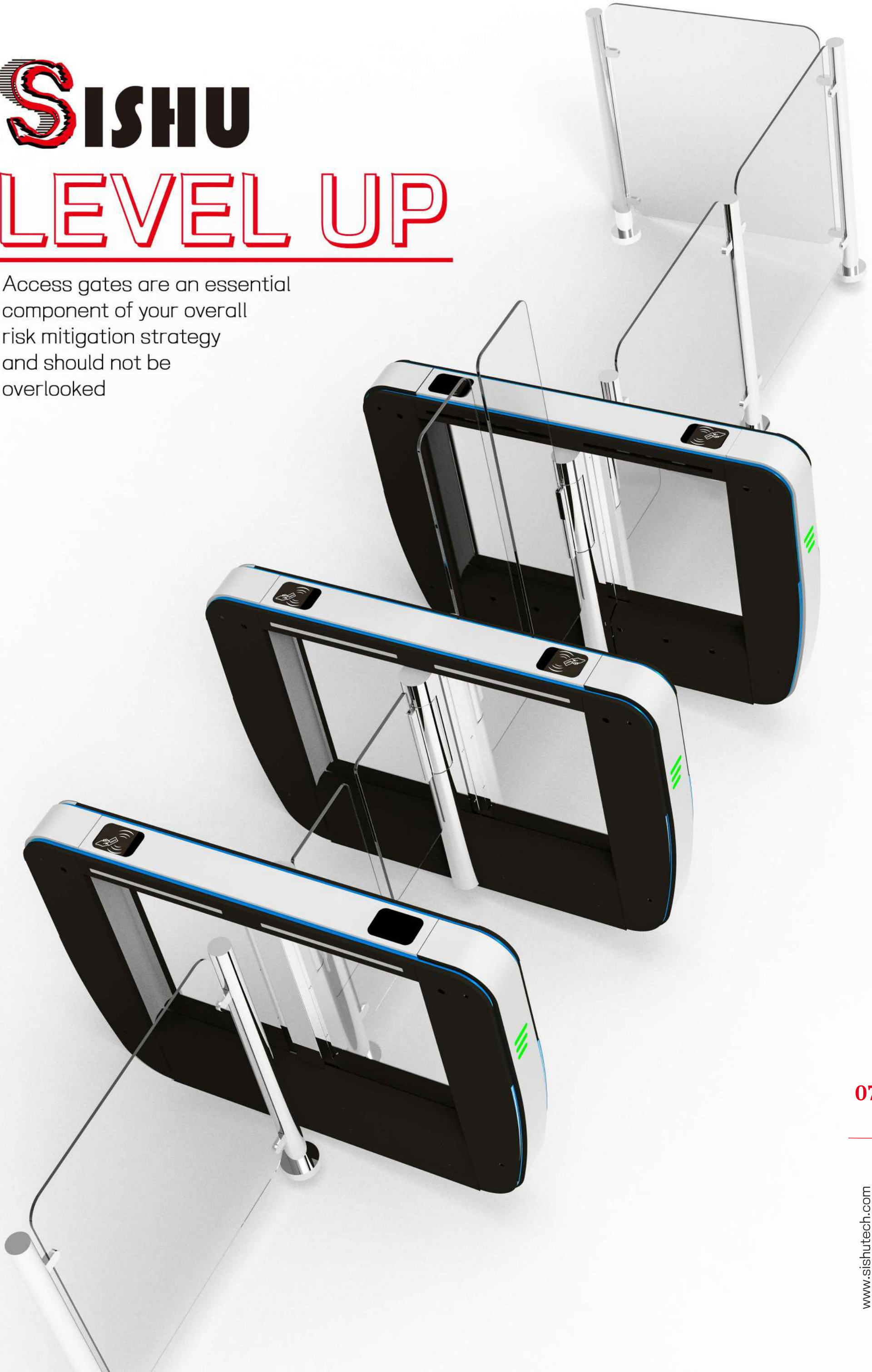
Speed gate can combine with different kinds access control system, such as: RFID, Facial, IRIS, Fingerprint,



SISHU

LEVEL UP

Access gates are an essential component of your overall risk mitigation strategy and should not be overlooked



HIGH TECH SPEED GATE TECHNOLOGY

PERFORMANCE AND DESIGN

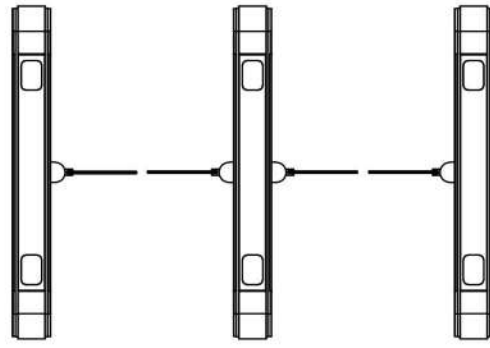
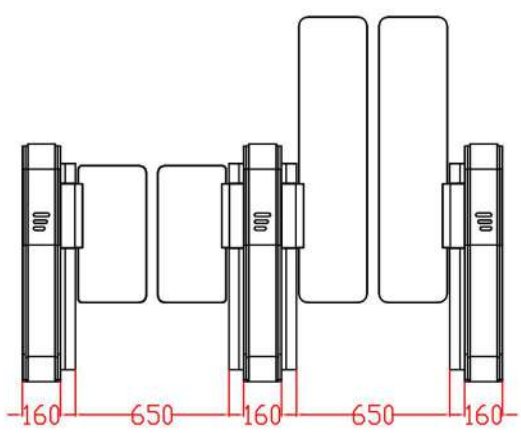
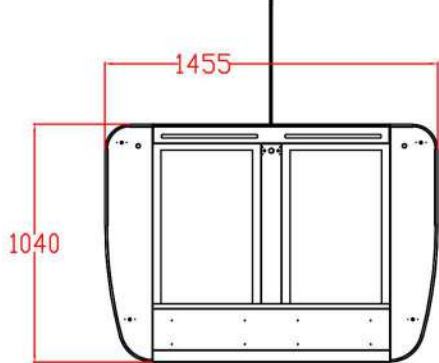
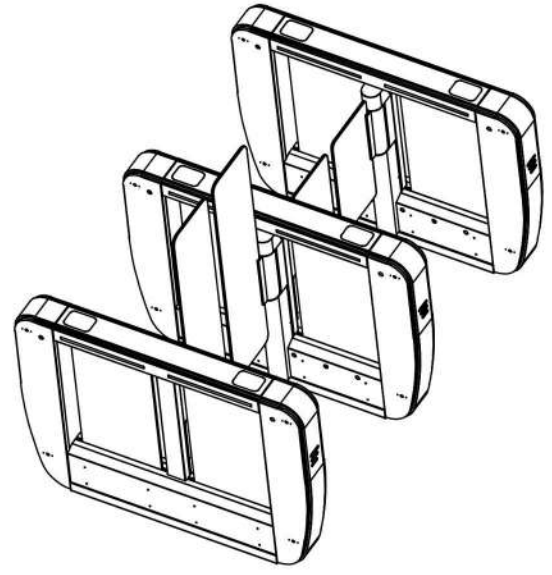
2024 New Model Speed gate combines sensor barrier technology with conventional speed gate functionality while ensuring pedestrians passing at different heights.

TECHNOLOGY

Speed gates are compatible with time recording systems, ID readers, keypads, boarding pass technology, ticket accepting devices, and biometric systems for additional levels of security.

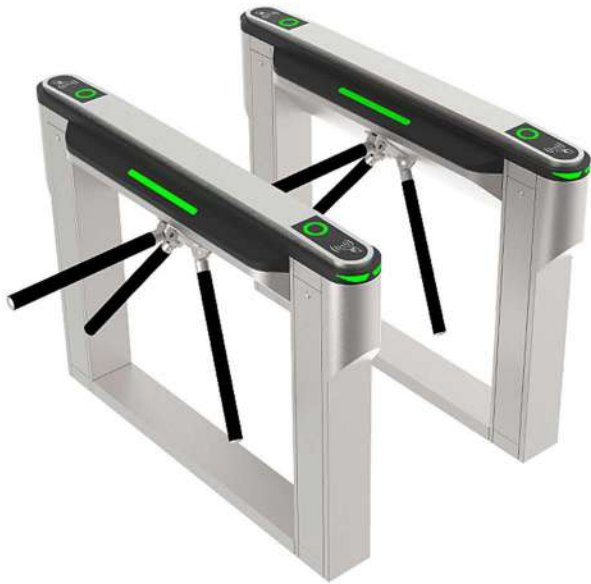


TECHNICAL DIMENSIONS



New Airport Turnstile Gates

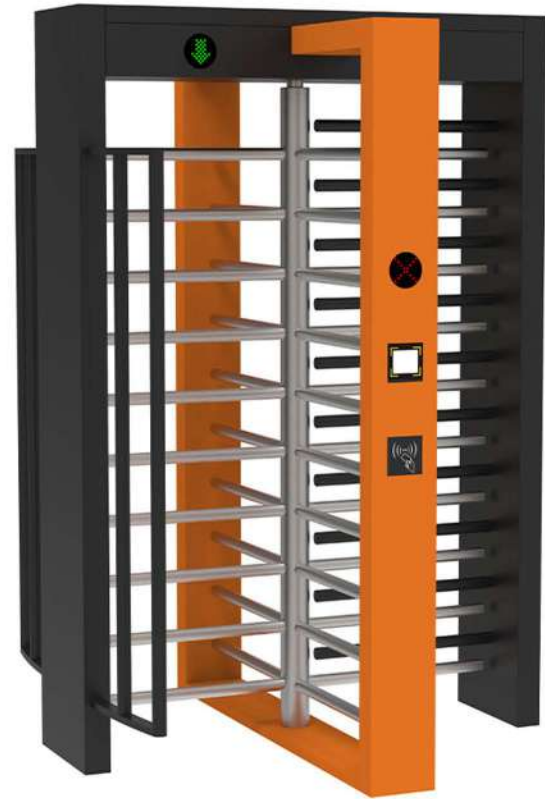
Useful Upgrades
& Augmentations



SST10 Tripod Turnstile
Semi/Full automatic options



SST102 Tripod turnstile gate
Mechanical structure with Hydraulic buffer



SSH6036 Full height gate
Hydraulic buffer with less noise



SSP8090 Speed Gate
Servo Motor/ Adjustable channel length and height



SSS90 Sliding gate
Smooth working mode and flexible channel height

SISHU LEVEL UP



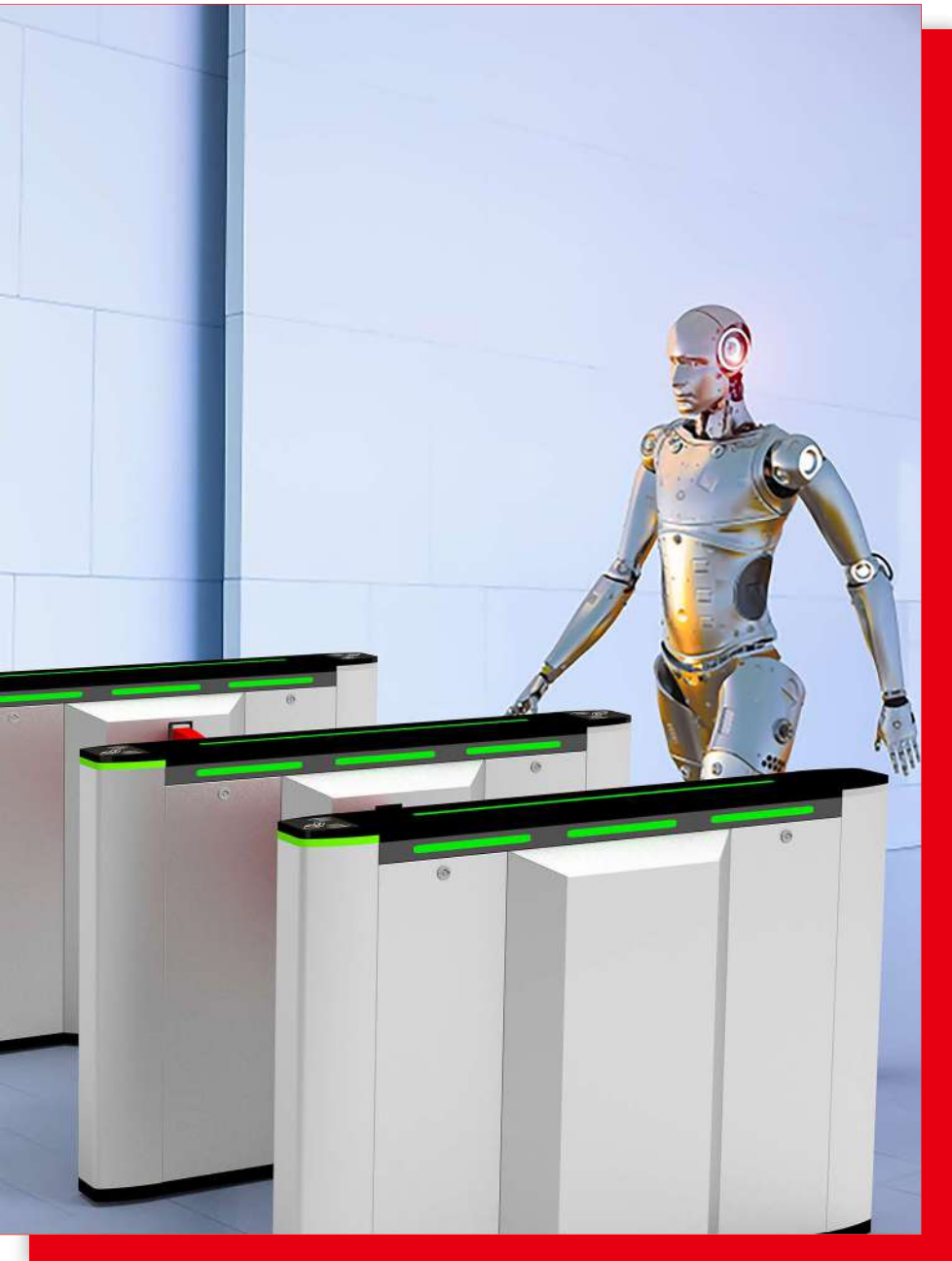
This design Flap barrier gate, design with Acrylic material and new soft LED, New LED can works like running water Special design machine this flap barrier body slimer than normaly flap barrier gate

Normal arm for people pass, Double arm make channel wider, wheel chair can accross easy.



HIGH TECH SPEED GATE

TECHNOLOGY



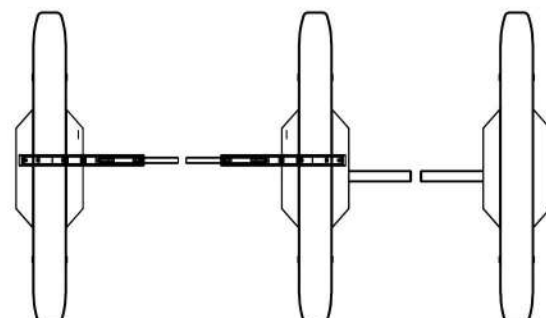
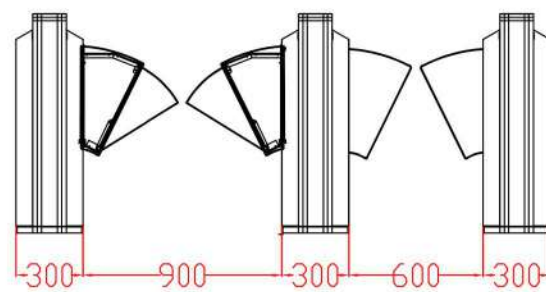
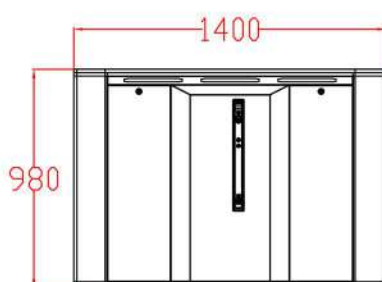
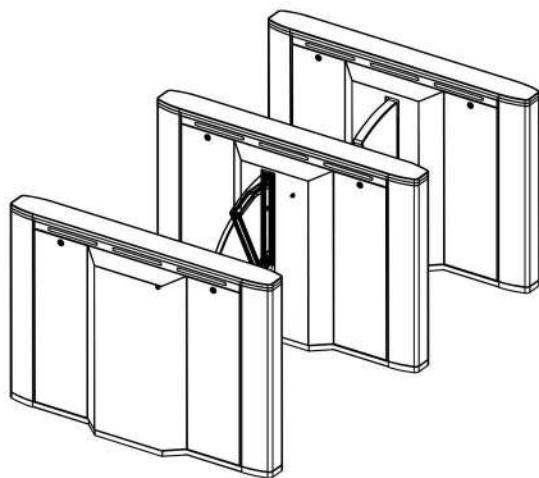
PERFORMANCE AND DESIGN

Speed Gate's optical turnstiles provide a strong visual obstacle against intrusion by detecting tailgating.

TECHNOLOGY

Speed gates are compatible with time recording systems, ID readers, keypads, boarding pass technology, ticket accepting devices, and biometric systems for additional levels of security. And the physical barrier and advanced sensor technology provide entry detection and prevention without the need of a guard.

TECHNICAL DIMENSIONS

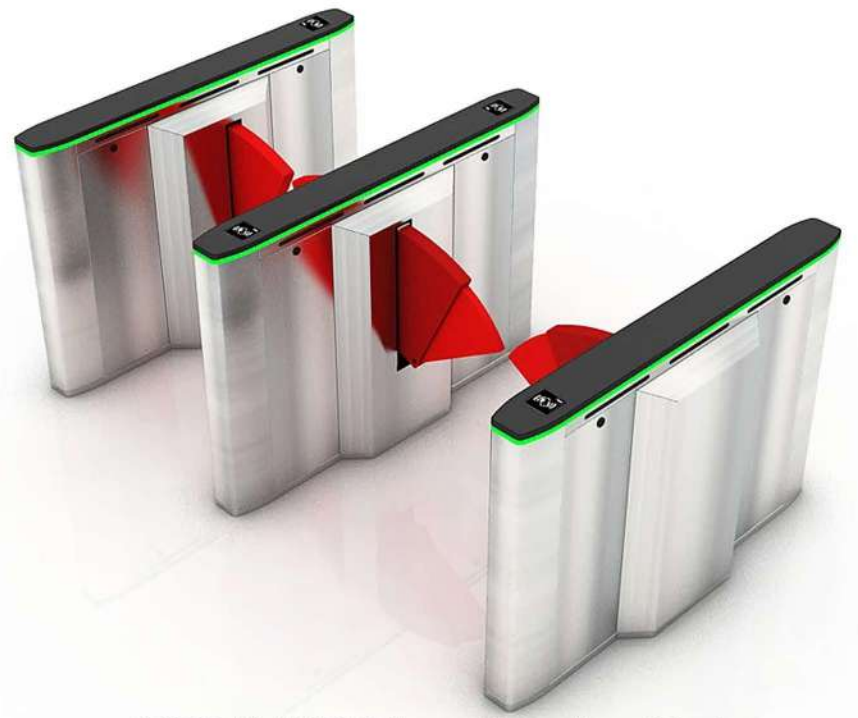


New Airport Turnstile Gates

Useful Upgrades
& Augmentations



SSH6082 Full Height Turnstile
Surface Color modifiable



SSF2400 Flap Barrier Gate
New design with running water LED



SSF2018 Flap Barrier Gate
Modifiable Color for this design



SSH6010 Full Height Turnstile Gate
90 degree work



SST2018 Tripod Turnstile Gate
Very strong framework with heavy duty
mechanical structure



SISHU
DECEMBER
2024